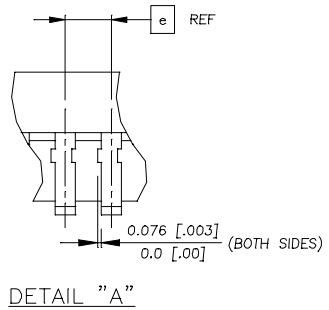
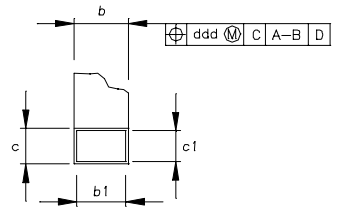
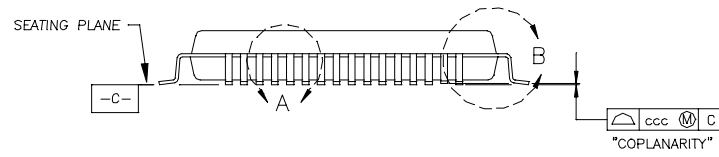
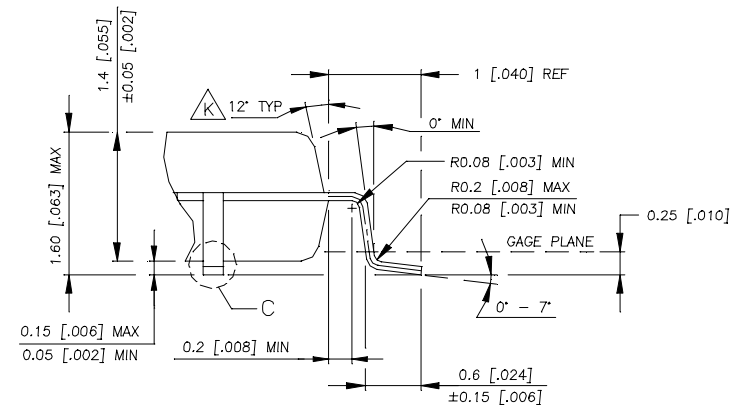
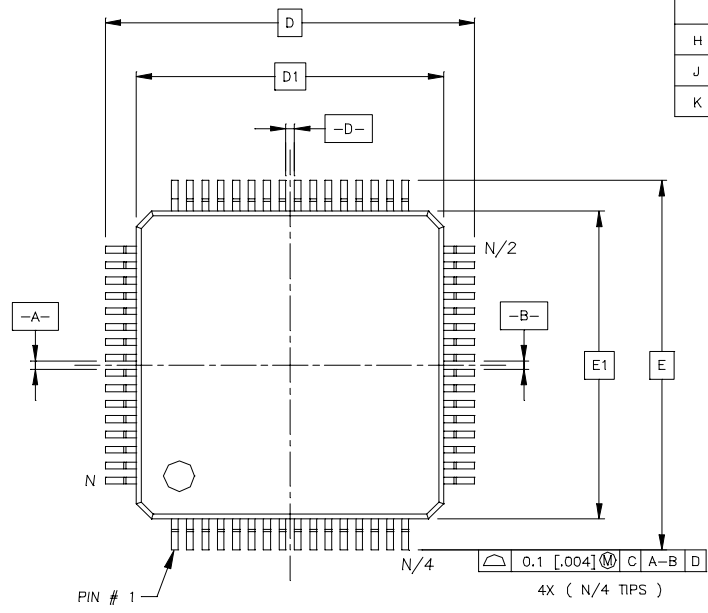


REV	DESCRIPTION	DATE	BY	REV	DESCRIPTION	DATE	BY
G	CHANGE COPLA & BENT LEAD FF: 32L 7X7 FR 0.08 [.003] & FR 0.15 [.006] 44L 10X10 FR 0.08 [.003] & FR 0.15 [.006] 52L 10X10 FR 0.08 [.003] 64L 14X14 FR 0.08 [.003] & FR 0.15 [.006] 80L 14X14 FR 0.08 [.003]	22AUG01	ANANG/PD	A	INITIAL RELEASE	07OCT94	
				B	CHANGE TITLE & COMPLETE REDRAW	27MAY97	RICO/PD
				C	ADD NEW LEAD COUNT - 44L 10X10 mm BODY	04JAN99	RICO/PD
H	ADD 128L LQFP 14x14x1.4	30JAN02	ANANG/PD	D	COMPLETE REDRAW & CHANGE TITLE	09JUN99	ANANG/PD
J	ADD 48L LQFP 12x12x1.4	15MAY02	ANANG/PD	E	CHANGE COMPANY NAME AND LOGO ADD 12X12 & 24X42 BODY SIZE IN THE VARIATION TABLE	22MAY00	ANANG/PD
K	CHANGE DRAFT ANGLE FR 12±1' TO 12' TYP	09JUL02	ANANG/PD	F	ADD NOTE, 52L (10x10), 80L & 120L (14x14)	16JAN01	ANANG/PD



- NOTES :
- DIMENSIONS D1 AND E1 DO NOT INCLUDE MOLD PROTRUSION. ALLOWABLE PROTRUSION IS 0.25 [.010] PER SIDE. D1 AND E1 ARE MAXIMUM PLASTIC BODY SIZE DIMENSIONS INCLUDING MOLD MISMATCH.
 - THE TOP PACKAGE BODY SIZE MAY BE SMALLER THAN THE BOTTOM BODY SIZE BY AS MUCH AS 0.15 [.006].
 - DRAWING CONFORMS TO JEDEC MS-026 REV. A.
 - COTROLLING DIMENSION IN MM.

PROJECTION 	UNIT MM [INCH]		Jalan S. Parman Kav. 201 Batamindo Industrial Park, Muka Kuning Batam Island 29433, Indonesia Telp: (62) 770 611888 Fax: (62) 770 611555
APPROVAL ANANG	DATE 09JUL02	TITLE FINISHED LQFP PACKAGE OUTLINE DRAWING	
CHECKED LITO B		DRAWING NO. DG 4966	REV. K
APPROVED ALLAN		SCALE DO NOT SCALE SHEET 1 OF 3	
RELEASED DOCON			